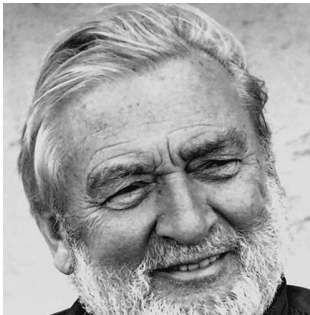


# Panthella Floor

The fixture emits a soft and comfortable illumination. The hemispherical shade reflects the light downwards, and the material used ensures that the majority of the light is spread diffusely in the room from the surface of the shade.



## Verner Panton

Verner Panton (1926-1998) is famous for his inspirational and colorful personality. A unique person with a special sense for color, shape, light function and space. Over the course of his career, Panton introduced a series of modern lamps with personalities unlike any of his Scandinavian contemporaries.



## Carl Hansen & Son Showroom

## Product info

### Mounting

Cable type: Plastic cord with plug. Cable length: 2.5m. Light control: On/off switch on cord.

### Finish

White opal acrylic.

### Materials

Shade: Injection moulded white opal acrylic. Base: White, injection moulded ABS. Housing: White, injection moulded ABS. Stem: White, steel.

### Sizes and weights

Width x Height x Length (mm) | 500 x 1305 x 500 Max 5.6 kg

### Class

Ingress protection IP20. Electric shock protection II w/o ground.

### Specification notes

The innovation of light sources is ongoing. Consequently we only inform about the max. wattages. On [www.louispoulsen.com](http://www.louispoulsen.com) we update a list of recommendable light sources.

### Light source

1x70W E27



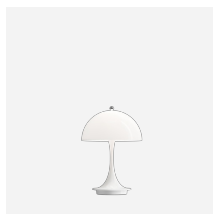
## Product family



Panthella Table



Panthella MINI



Panthella Portable

## Product variants

### Light source

1x70W E27

# Product description

Modern, all white, portable fixture.  
Terse and iconic design  
Matching table version available.

---

## Mounting

Portable fixture plugs into standard wall outlet.

---

## Light description

The fixture emits glare free, comfortable light.  
Top hemispherical shade reflects light downwards

---

## Design

Verner Panton

---

## Material

Shade: opal acrylic, 1.5mm (0.06") thick.  
Base: injection molded white ABS, 1.5mm (0.06") thick.  
Stem: extruded steel, white wet painted, 1.5mm (0.06") thick.  
Switch: on/off, phenolic, on cord.  
Socket: Porcelain, medium base for A-19, frosted envelope lamps.

---

## Weight

5.568

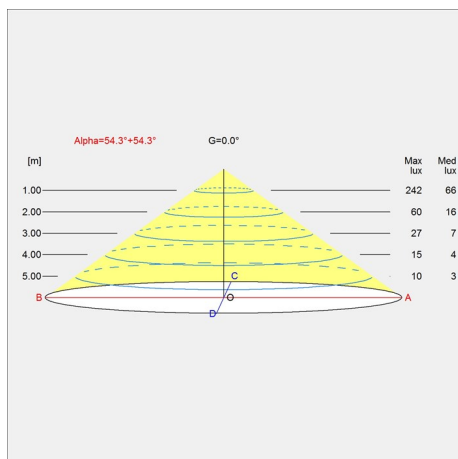
---

## Finish

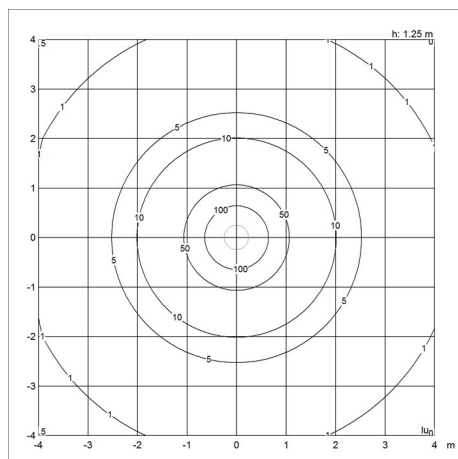
White opal acryl

# Light distribution diagrams

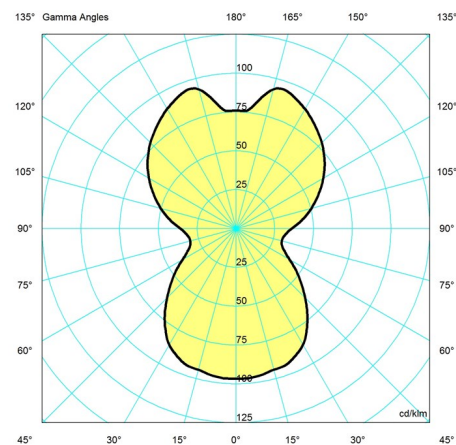
## Cartesian



## Isolux



## Polar



## Spare parts & accessories

### Product

PANTHELLA FLOOR, SHADE  
 PANTHELLA FLOOR, CLEAR SHADEHOLDER  
 PANTHELLA FLOOR, TUBE  
 PANTHELLA FLOOR, UPPER TROMPET  
 PANTHELLA FLOOR, LEGS WITH NUT & WASHER  
 PANTHELLA FLOOR/TABLE, NUT, CHROME  
 FOOT SWITCH, ON/OFF, WHITE

### Variant number

5744610023  
 5744610052  
 5744163295  
 5744163305  
 5744610531  
 5744610049  
 5717000013